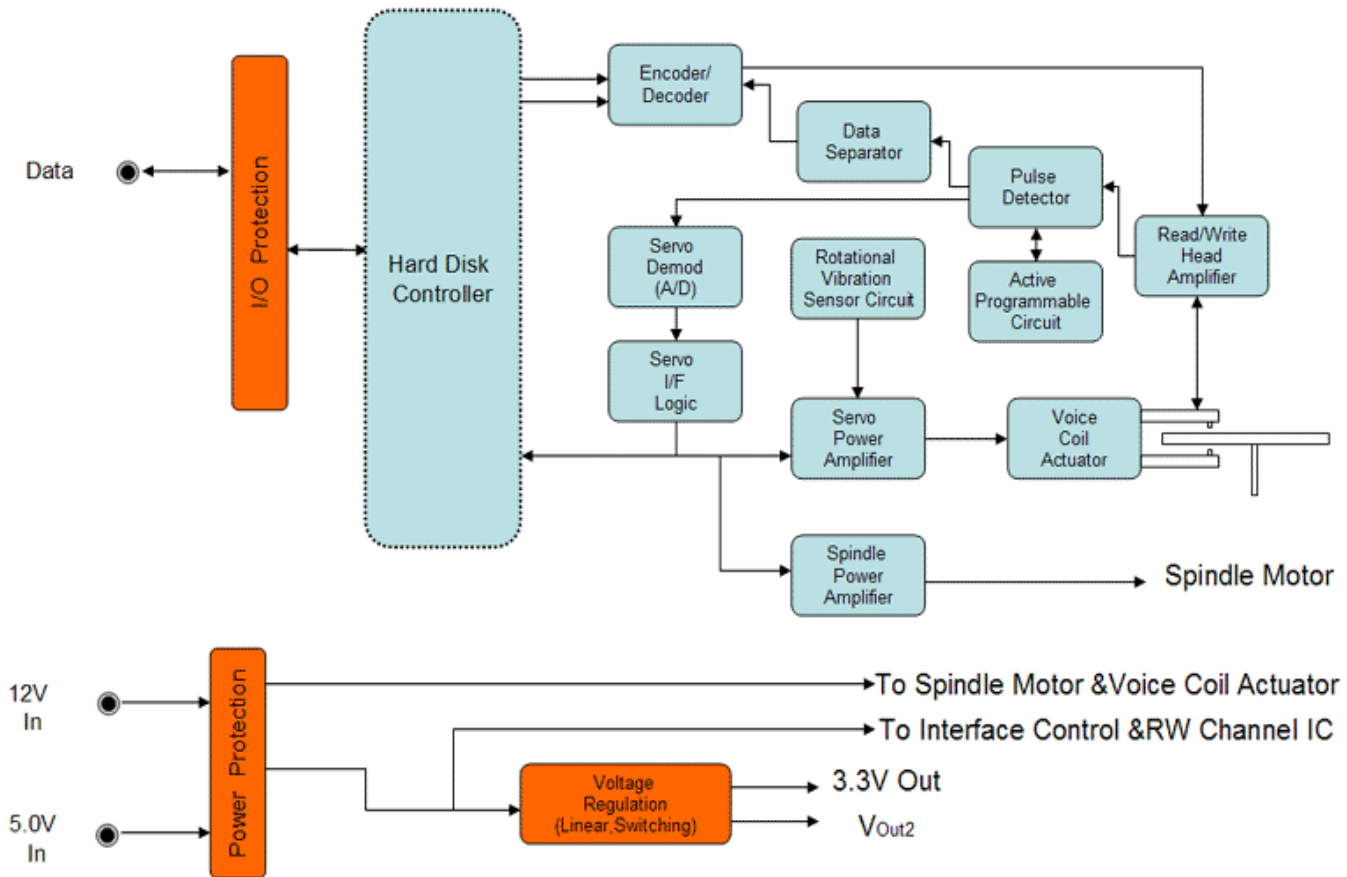


## Disk Drive



**I/O Protection:** ESD3V3 ESD5V0 ESD8V0 ESD12V

**Power Protection:** SMAJ6.8A SMAJ7.5A SMAJ12A SMAJ22A SMBJ15A SMBJ27A SMBJ33A

**Voltage Regulation (Linear, Switching):** B0540W B0520W B5817W B5819W 1N5817PL 1N5819PL B0530 B0540  
SM5817PL SM5819PL SMD16PL SMD18PL SMD110PL SS14 SS16 SS110