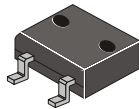


DB201GS THRU DB208GS



SINGLE PHASE 2.0 AMP SURFACE MOUNT BRIDGE RECTIFIERS



FEATURES

- * Ideal for printed circuit board
- * Reliable low cost construction utilizing molded plastic technique
- * High surge current capability
- * Polarity: marked on body
- * Mounting position: Any
- * Weight: 1.0 grams
- * Both normal and Pb free product are available:
- * Normal: 80~95%Sn, 5~20%Pb
- * Pb free: 99 Sn above can meet Rohs environment substance directive request

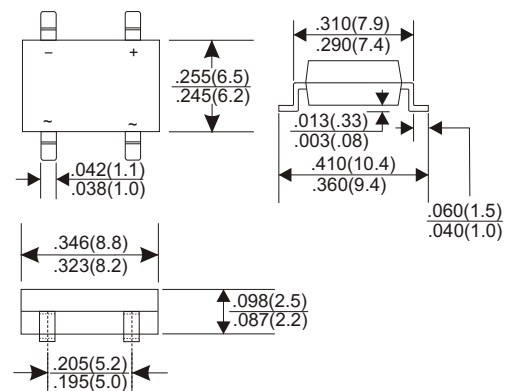
VOLTAGE RANGE

50 to 1200 Volts

CURRENT

2.0 Ampere

DB-1S



Dimensions in inches and (millimeters)

MAXIMUM RATINGS AND ELECTRICAL CHARACTERISTICS

Rating 25°C ambient temperature unless otherwise specified.
Single phase half wave, 60Hz, resistive or inductive load.
For capacitive load, derate current by 20%.

TYPE NUMBER	DB201GS	DB202GS	DB203GS	DB204GS	DB205GS	DB206GS	DB207GS	DB208GS	UNITS
Maximum Recurrent Peak Reverse Voltage	50	100	200	400	600	800	1000	1200	V
Maximum RMS Voltage	35	70	140	280	420	560	700	840	V
Maximum DC Blocking Voltage	50	100	200	400	600	800	1000	1200	V
Maximum Average Forward Rectified Current .375"(9.5mm) Lead Length at Ta=40°C	2.0								A
Peak Forward Surge Current, 8.3 ms single half sine-wave superimposed on rated load (JEDEC method)	75								A
Maximum Forward Voltage Drop per Bridge Element at 2.0A D.C.	1.1								V
Maximum DC Reverse Current Ta=25°C	5								A
at Rated DC Blocking Voltage Ta=125°C	500								A
Operating Temperature Range, Tj	-65 — +150								°C
Storage Temperature Range, TSTG	-65 — +150								°C

RATING AND CHARACTERISTIC CURVES (DB201GS THRU DB208GS)

FIG.1-TYPICAL FORWARD CURRENT DERATING CURVE

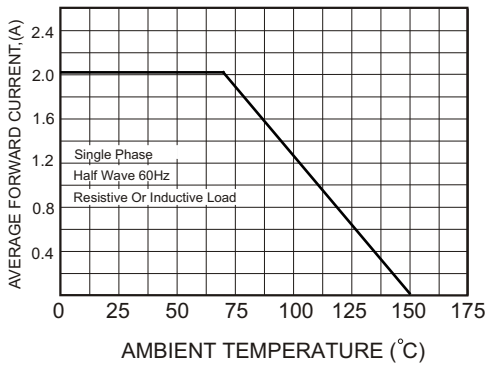


FIG.2-MAXIMUM NON-REPETITIVE FORWARD SURGE CURRENT

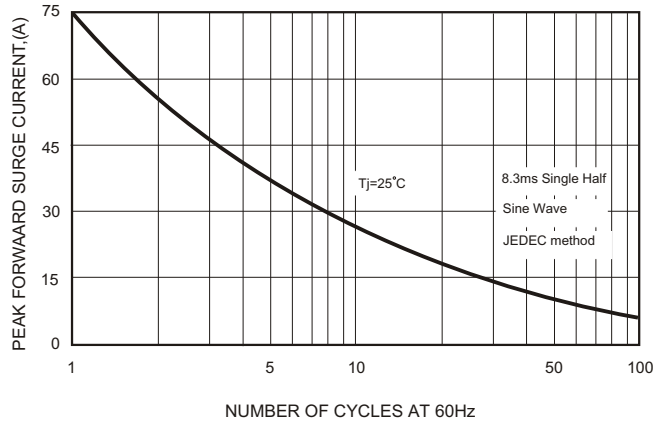


FIG.3-TYPICAL FORWARD CHARACTERISTICS

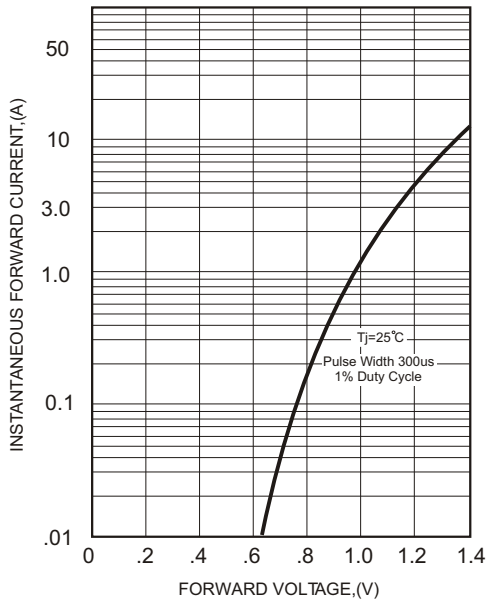


FIG.4-TYPICAL REVERSE CHARACTERISTICS

