

NJ10N65 POWER MOSFET



10A 650V N-CHANNEL POWER MOSFET

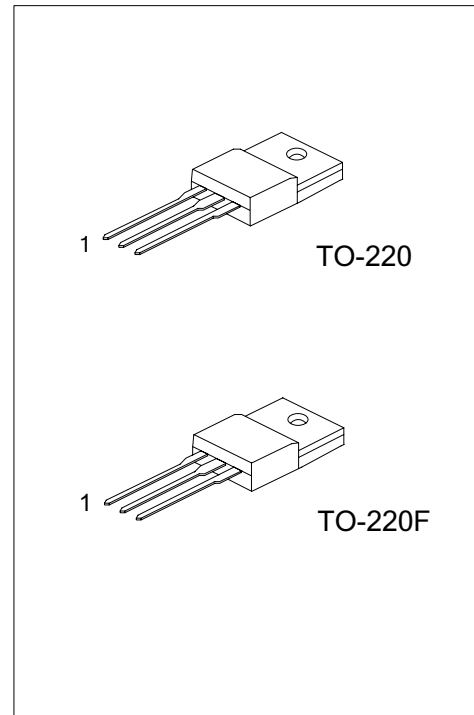
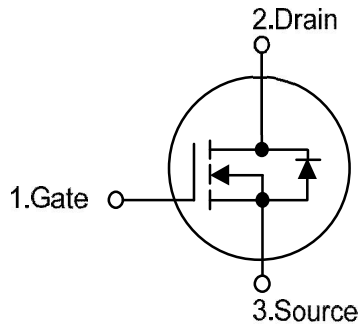
DESCRIPTION

The NJ10N65 is a high voltage and high current power MOSFET, designed to have better characteristics, such as fast switching time, low gate charge, low on-state resistance and a high rugged avalanche characteristics. This power MOSFET is usually used at high speed switching applications in power supplies, PWM motor controls, high efficient DC to DC converters and bridge circuits.

FEATURES

- * $V_{DS} = 650V$
- * $I_D = 10A$
- * $R_{DS(ON)} = 0.86\Omega @ V_{GS} = 10V.$
- * Low gate charge (typical 44 nC)
- * Low Crss (typical 18 pF)
- * Fast switching
- * 100% avalanche tested
- * Improved dv/dt capability

SYMBOL



ORDERING INFORMATION

Ordering Number	Package	Pin Assignment			Packing
		1	2	3	
NJ10N65-LI	TO-220	G	D	S	Tape Box
NJ10N65-BL	TO-220	G	D	S	Bulk
NJ10N65F-LI	TO-220F	G	D	S	Tube

Note: Pin Assignment: G: Gate D: Drain S: Source

NJ10N65 POWER MOSFET

■ ABSOLUTE MAXIMUM RATINGS ($T_C = 25^\circ\text{C}$ unless otherwise specified)

PARAMETER		SYMBOL	RATINGS	UNIT
Drain-Source Voltage		V_{DSS}	650	V
Gate-Source Voltage		V_{GSS}	± 30	V
Avalanche Current (Note 2)		I_{AR}	10	A
Drain Current	Continuous	I_D	10	A
	Pulsed (Note 2)	I_{DM}	38	A
Avalanche Energy	Single Pulsed (Note 3)	E_{AS}	700	mJ
	Repetitive (Note 2)	E_{AR}	15.6	mJ
Peak Diode Recovery dv/dt (Note 4)		dv/dt	4.5	V/ns
Power Dissipation	TO-220	P_D	156	W
	TO-220F		50	W
Junction Temperature		T_J	+150	$^\circ\text{C}$
Operating Temperature		T_{OPR}	-55 ~ +150	$^\circ\text{C}$
Storage Temperature		T_{STG}	-55 ~ +150	$^\circ\text{C}$

Notes: 1. Absolute maximum ratings are those values beyond which the device could be permanently damaged.

Absolute maximum ratings are stress ratings only and functional device operation is not implied.

2. Repetitive Rating: Pulse width limited by maximum junction temperature

3. $L = 14.2\text{mH}$, $I_{AS} = 10\text{A}$, $V_{DD} = 50\text{V}$, $R_G = 25\ \Omega$ Starting $T_J = 25^\circ\text{C}$

4. $I_{SD} \leq 9.5\text{A}$, $di/dt \leq 200\text{A}/\mu\text{s}$, $V_{DD} \leq BV_{DSS}$, Starting $T_J = 25^\circ\text{C}$

■ THERMAL DATA

PARAMETER		SYMBOL	RATING	UNIT
Junction to Ambient		θ_{JA}	62.5	$^\circ\text{C}/\text{W}$
Junction to Case	TO-220	θ_{JC}	0.8	$^\circ\text{C}/\text{W}$
	TO-220F		2.5	$^\circ\text{C}/\text{W}$

NJ10N65 POWER MOSFET

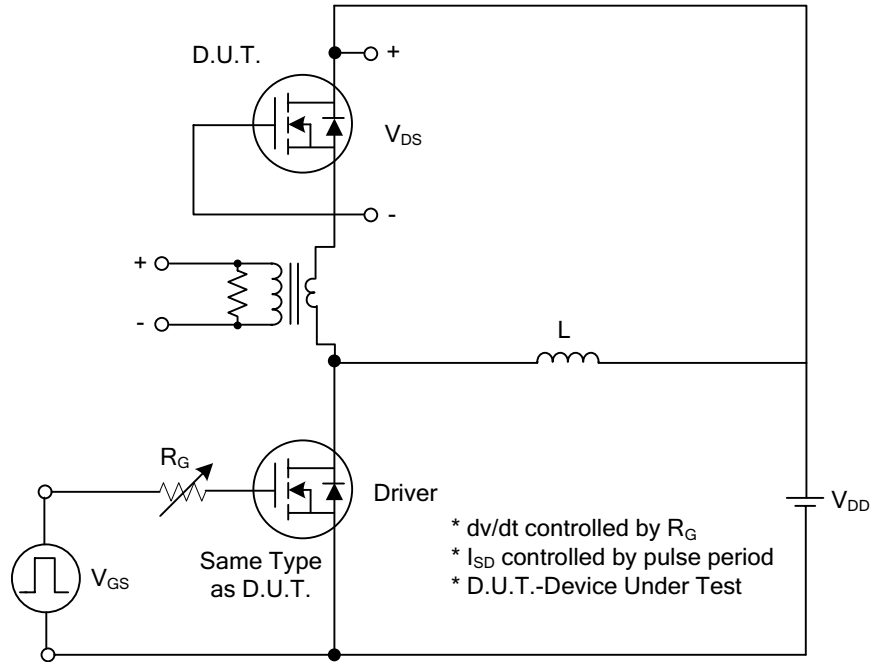
■ ELECTRICAL CHARACTERISTICS (T_C=25°C, unless otherwise specified)

PARAMETER	SYMBOL	TEST CONDITIONS	MIN	TYP	MAX	UNIT
OFF CHARACTERISTICS						
Drain-Source Breakdown Voltage	BV _{DSS}	V _{GS} =0V, I _D =250μA	650			V
Drain-Source Leakage Current	I _{DSS}	V _{DS} =650V, V _{GS} =0V			1	μA
Gate-Source Leakage Current	Forward	I _{GSS} V _{GS} =30V, V _{DS} =0V			100	nA
	Reverse		V _{GS} =-30V, V _{DS} =0V			-100
Breakdown Voltage Temperature Coefficient	ΔBV _{DSS} /ΔT _J	I _D =250 μA, Referenced to 25°C		0.7		V/°C
ON CHARACTERISTICS						
Gate Threshold Voltage	V _{GS(TH)}	V _{DS} =V _{GS} , I _D =250μA	2.0		4.0	V
Static Drain-Source On-State Resistance	R _{DS(ON)}	V _{GS} =10V, I _D =4.75A		0.72	0.86	Ω
DYNAMIC CHARACTERISTICS						
Input Capacitance	C _{ISS}	V _{DS} =25V, V _{GS} =0V, f=1.0 MHz		1570	2040	pF
Output Capacitance	C _{OSS}			166	215	pF
Reverse Transfer Capacitance	C _{RSS}			18	24	pF
SWITCHING CHARACTERISTICS						
Turn-On Delay Time	t _{D(ON)}	V _{DD} =325V, I _D =10A, R _G =25Ω (Note1, 2)		23	55	ns
Turn-On Rise Time	t _R			69	150	ns
Turn-Off Delay Time	t _{D(OFF)}			144	300	ns
Turn-Off Fall Time	t _F			77	165	ns
Total Gate Charge	Q _G	V _{DS} =520V, I _D =10A, V _{GS} =10V (Note1, 2)		44	57	nC
Gate-Source Charge	Q _{GS}			6.7		nC
Gate-Drain Charge	Q _{GD}			18.5		nC
DRAIN-SOURCE DIODE CHARACTERISTICS AND MAXIMUM RATINGS						
Drain-Source Diode Forward Voltage	V _{SD}	V _{GS} =0V, I _S =10A			1.4	V
Maximum Continuous Drain-Source Diode Forward Current	I _S				10	A
Maximum Pulsed Drain-Source Diode Forward Current	I _{SM}				38	A
Reverse Recovery Time	t _{rr}	V _{GS} =0V, I _S =10A,		420		ns
Reverse Recovery Charge	Q _{RR}	dI _F /dt=100A/μs (Note1)		4.2		μC

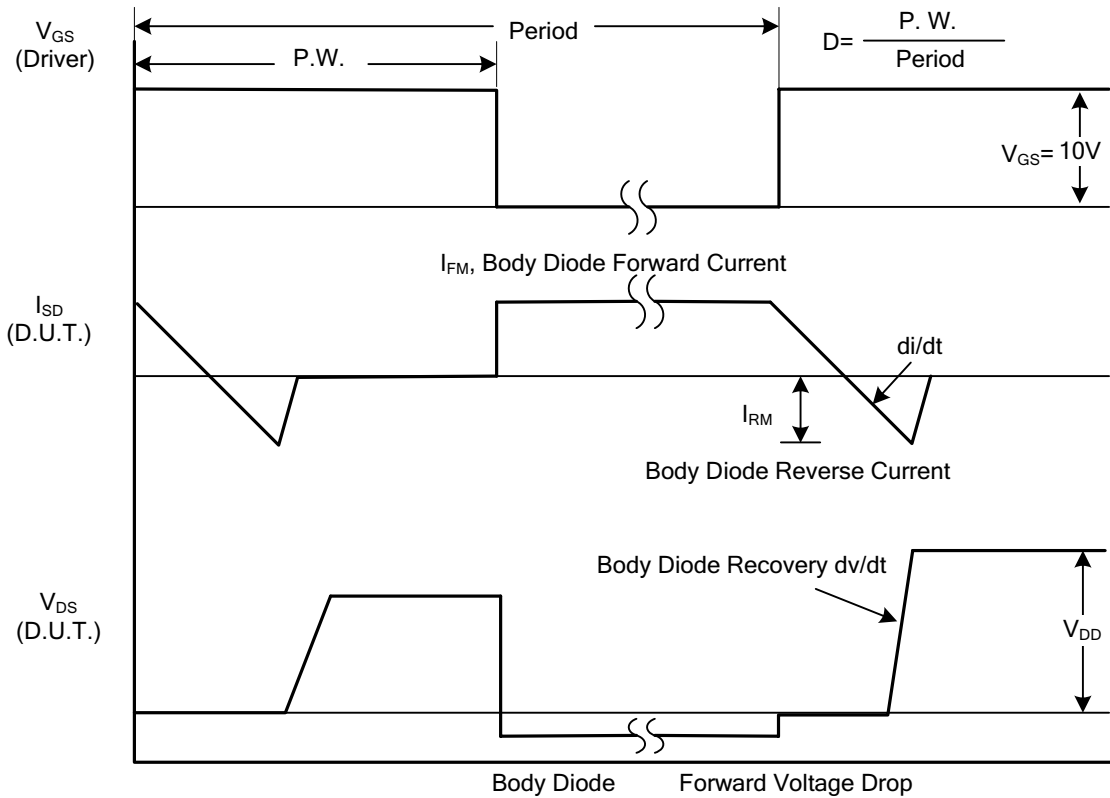
- Notes: 1. Pulse Test : Pulse width ≤300μs, Duty cycle ≤2%
 2. Essentially independent of operating temperature

NJ10N65 POWER MOSFET

■ TEST CIRCUITS AND WAVEFORMS



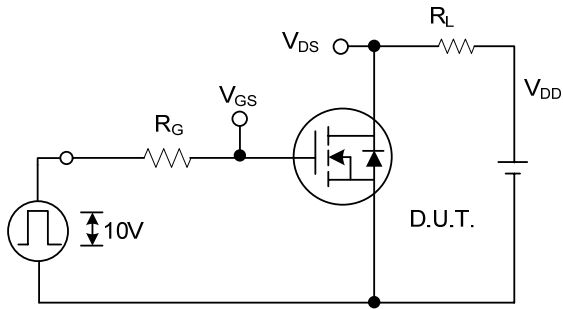
Peak Diode Recovery dv/dt Test Circuit



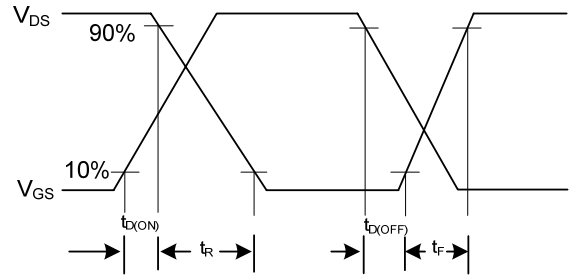
Peak Diode Recovery dv/dt Waveforms

NJ10N65 POWER MOSFET

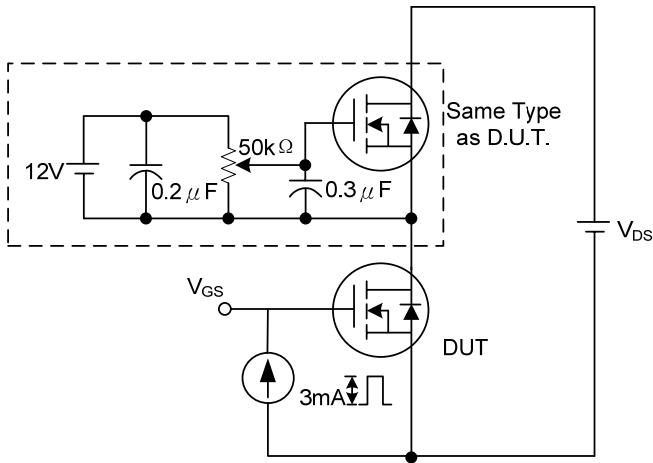
■ TEST CIRCUITS AND WAVEFORMS (Cont.)



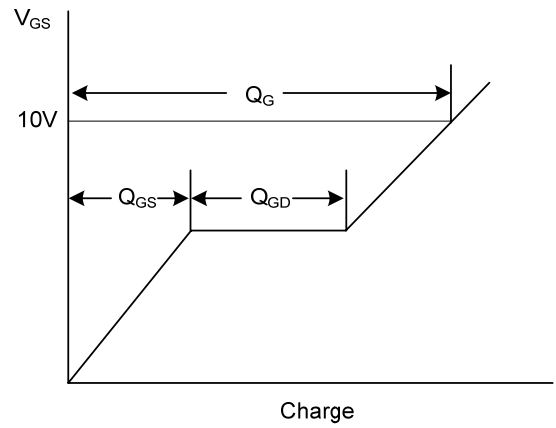
Switching Test Circuit



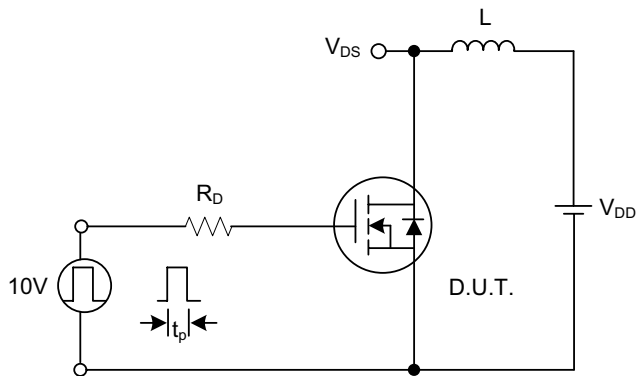
Switching Waveforms



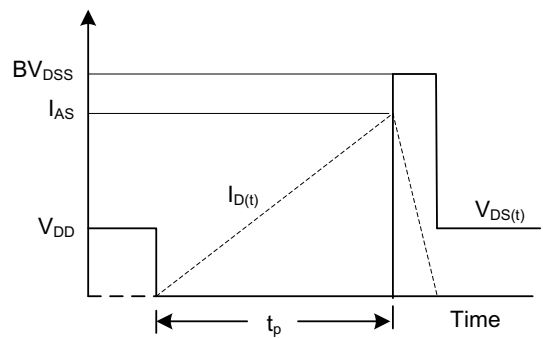
Gate Charge Test Circuit



Gate Charge Waveform



Unclamped Inductive Switching Test Circuit

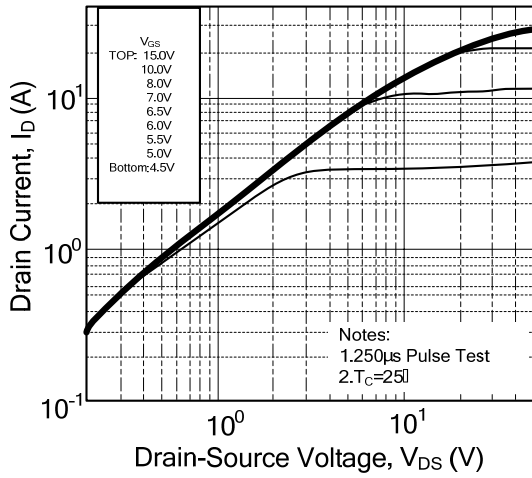


Unclamped Inductive Switching Waveforms

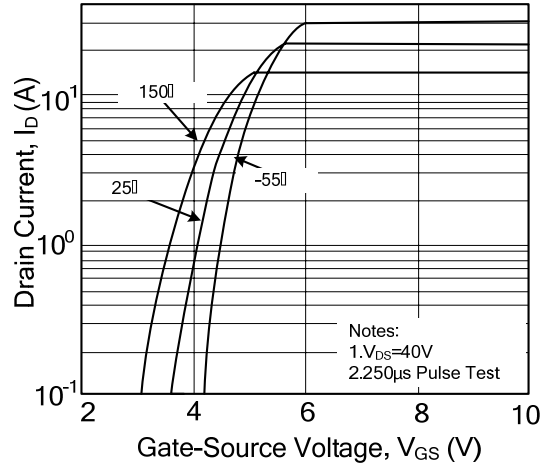
NJ10N65 POWER MOSFET

TYPICAL CHARACTERISTICS

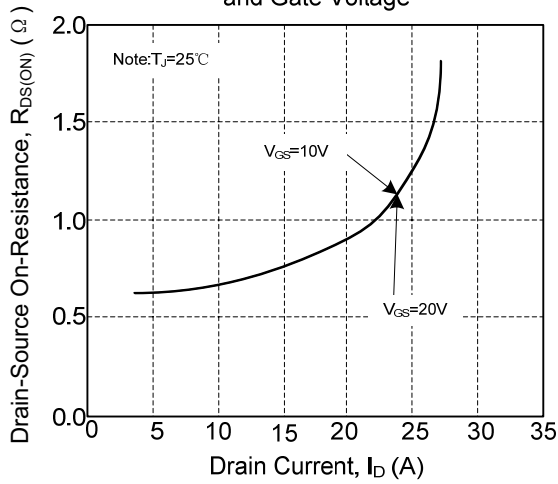
On-Region Characteristics



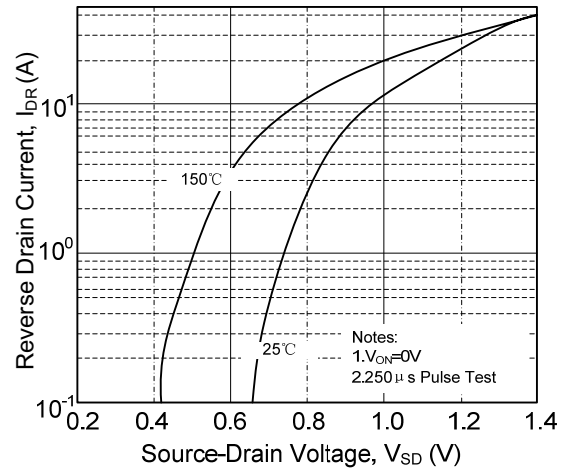
Transfer Characteristics



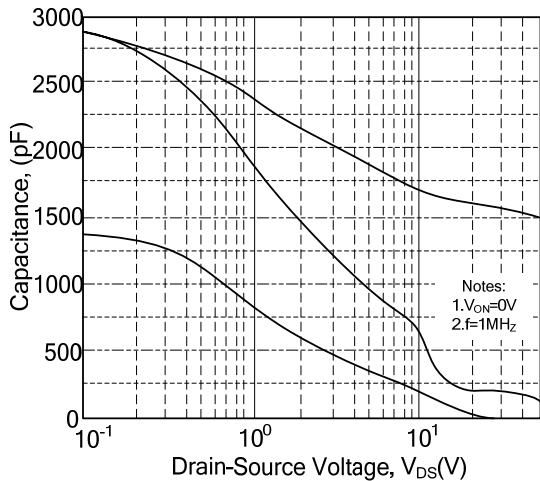
On-Resistance Variation vs. Drain Current and Gate Voltage



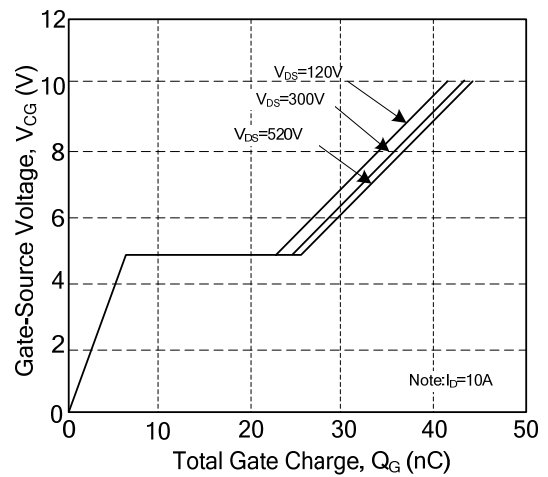
Body Diode Forward Voltage Variation with Source Current and Temperature



Capacitance Characteristics



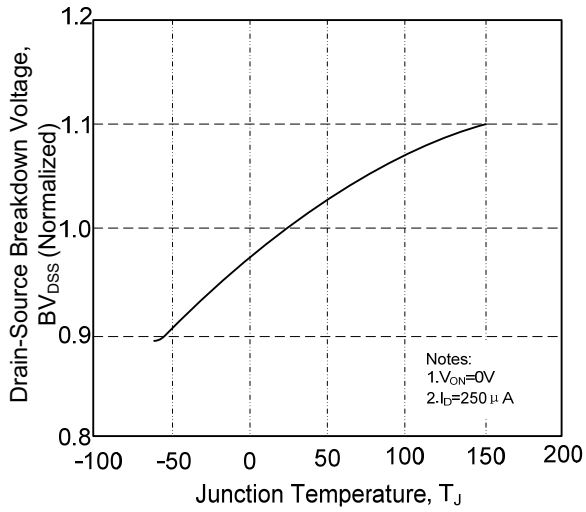
Gate Charge Characteristics



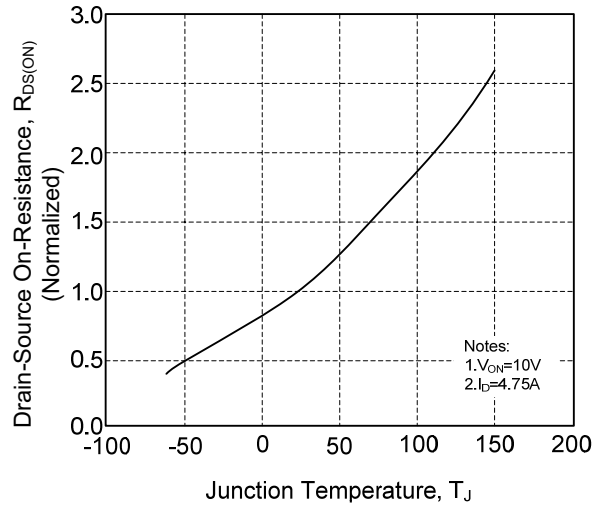
NJ10N65 POWER MOSFET

TYPICAL CHARACTERISTICS(Cont.)

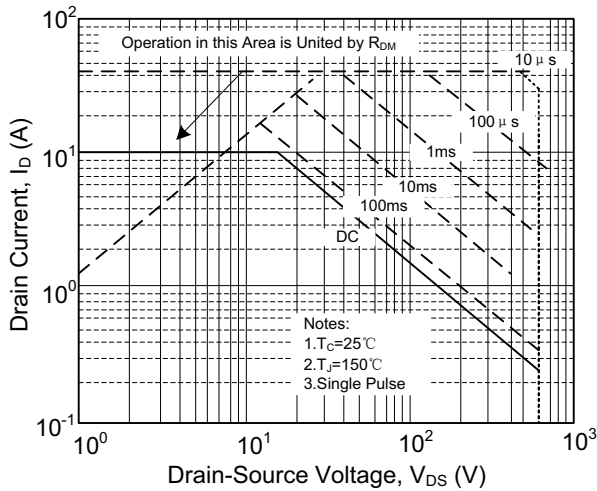
Breakdown Voltage Variation vs. Temperature



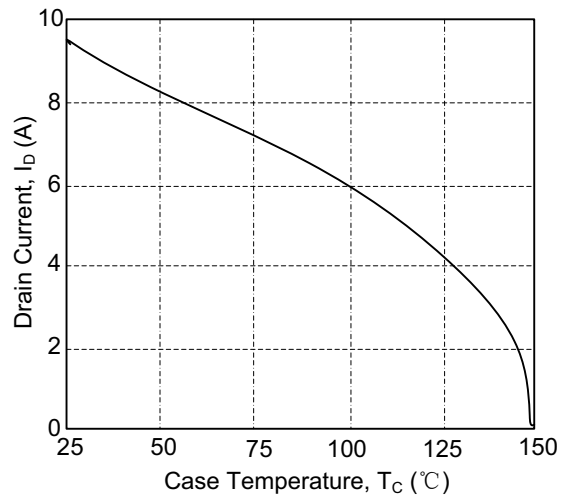
On-Resistance Variation vs. Temperature



Maximum Safe Operating Area



Maximum Drain Current vs. Case Temperature



Transient Thermal Response Curve

