



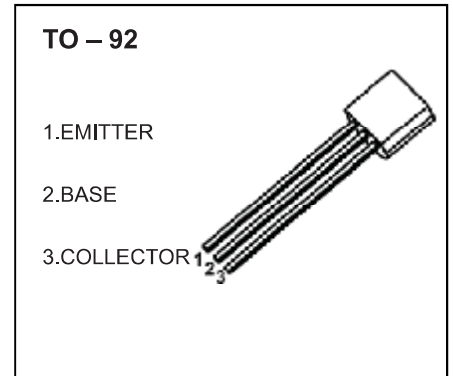
DONGGUAN NANJING ELECTRONICS LTD.,

TO-92 Plastic-Encapsulate Transistors

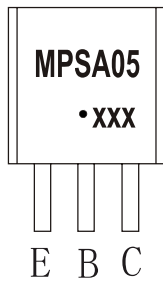
MPSA05 TRANSISTOR (NPN)

FEATURES

- General Purpose Amplifier

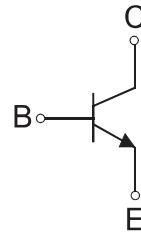


MARKING



MPSA05=Device code
Solid dot=Green molding compound device,
if none,the normal device
XXX=Code

Equivalent Circuit



ORDERING INFORMATION

Part Number	Package	Packing Method	Pack Quantity
MPSA05	TO-92	Bulk	1000pcs/Bag
MPSA05-TA	TO-92	Tape	2000pcs/Box

MAXIMUM RATINGS (T_a=25°C unless otherwise noted)

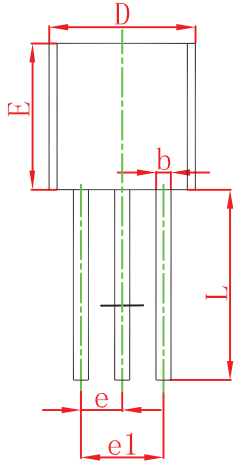
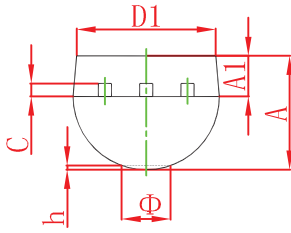
Symbol	Parameter	Value	Unit
V _{CBO}	Collector-Base Voltage	60	V
V _{CEO}	Collector-Emitter Voltage	60	V
V _{EB0}	Emitter-Base Voltage	4	V
I _C	Collector Current -Continuous	0.5	A
P _D	Collector Power Dissipation	625	mW
R _{θJA}	Thermal Resistance from Junction to Ambient	200	°C /W
T _j	Junction Temperature	150	°C
T _{stg}	Storage Temperature	-55~+150	°C

ELECTRICAL CHARACTERISTICS

$T_a=25\text{ }^\circ\text{C}$ unless otherwise specified

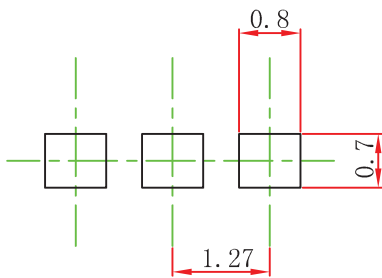
Parameter	Symbol	Test conditions	Min	Typ	Max	Unit
Collector-base breakdown voltage	$V_{(BR)CBO}$	$I_C=0.1\text{mA}, I_E=0$	60			V
Collector-emitter breakdown voltage	$V_{(BR)CEO}$	$I_C=1\text{mA}, I_B=0$	60			V
Emitter-base breakdown voltage	$V_{(BR)EBO}$	$I_E=0.1\text{mA}, I_C=0$	4			V
Collector cut-off current	I_{CBO}	$V_{CB}=60\text{V}, I_E=0$			0.1	μA
Collector cut-off current	I_{CEO}	$V_{CE}=60\text{V}, I_B=0$			0.1	μA
Emitter cut-off current	I_{EBO}	$V_{EB}=3\text{V}, I_C=0$			1	μA
DC current gain	$h_{FE(1)}$	$V_{CE}=1.0\text{V}, I_C=100\text{mA}$	100			
	$h_{FE(2)}$	$V_{CE}=1.0\text{V}, I_C=10\text{mA}$	100			
Collector-emitter saturation voltage	$V_{CE(sat)}$	$I_C=100\text{mA}, I_B=10\text{mA}$			0.25	V
Base-emitter voltage	V_{BE}	$I_C=100\text{mA}, V_{CE}=1.0\text{V}$			1.2	V
Transition frequency	f_T	$V_{CE}=2.0\text{V}, I_C=10\text{mA}, f=100\text{MHz}$	100			MHz

TO-92 Package Outline Dimensions



Symbol	Dimensions In Millimeters		Dimensions In Inches	
	Min	Max	Min	Max
A	3,300	3,700	0,130	0,146
A1	1,100	1,400	0,043	0,055
b	0,380	0,550	0,015	0,022
c	0,360	0,510	0,014	0,020
D	4,300	4,700	0,169	0,185
D1	3,430		0,135	
E	4,300	4,700	0,169	0,185
e	1,270 TYP		0,050 TYP	
e1	2,440	2,640	0,096	0,104
L	14,100	14,500	0,555	0,571
Φ		1,600		0,063
h	0,000	0,380	0,000	0,015

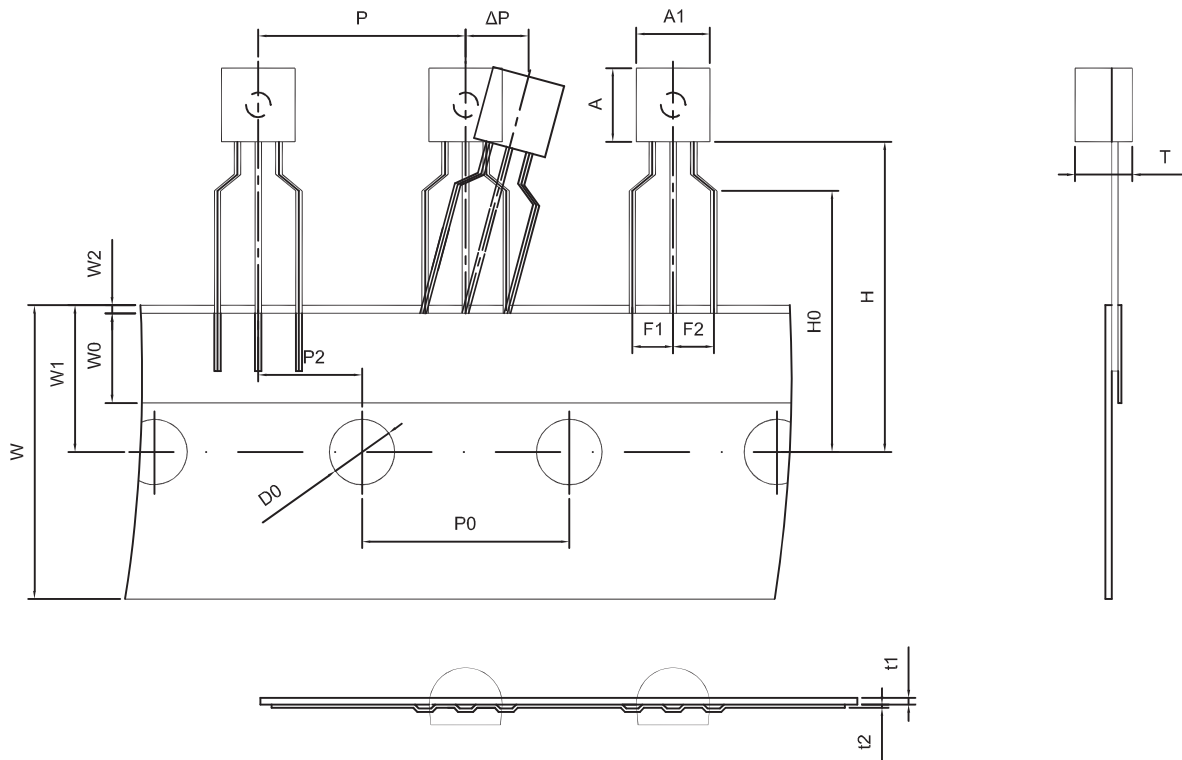
TO-92 Suggested Pad Layout



Note:

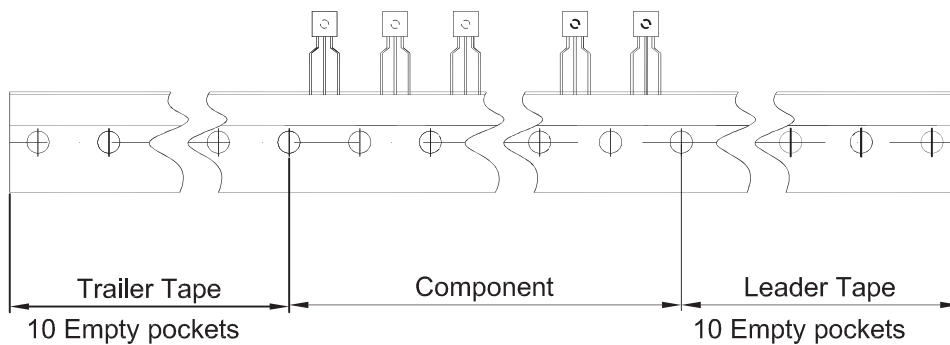
1. Controlling dimension: in millimeters.
2. General tolerance: ± 0.05 mm.
3. The pad layout is for reference purposes only.

TO-92 PACKAGE TAPEING DIMENSION



Dimiensions are in millimeter

A1	A	T	P	P0	P2	F1	F2	W
4.5	4.5	3.5	12.7	12.7	6.35	2.5	2.5	18.0
W0	W1	W2	H	H0	D0	t1	t2	ΔP
6.0	9.0	1.0 MAX.	19.0	16.0	4.0	0.4	0.2	0



Package	Box	Box Size(mm)	Carton	Carton Size(mm)
TO-92	2000 pcs	333×162×43	20,000 pcs	350×340×250