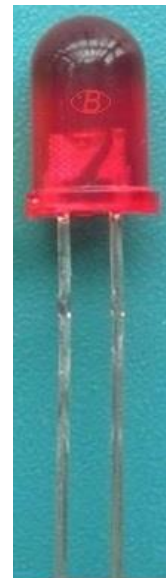
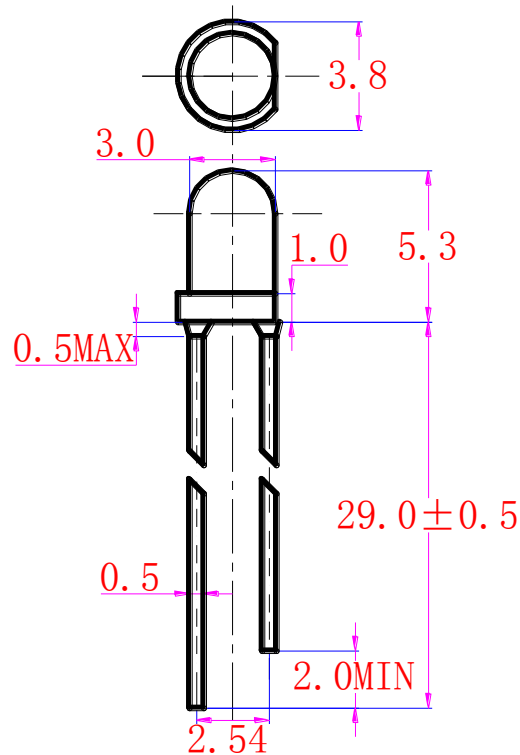




Features:

- ◆ Standard T-1 diameter package
- ◆ General purpose leads
- ◆ Reliable and rugged

Package Dimensions:



Part No.	Chip Material	Lens Color	Source Color
NJ-DIP-03RTRY1	InGaAIP	Red	Red

Notes:

- 1、 all dimensions in mm tolerance is ± 0.2 mm unless otherwise noted.
- 2、 an epoxy meniscus may extend about 1.5mm down the leads.
- 3、 burr around bottom of epoxy may be 0.5mm max.



Absolute Maximum Ratings (Ta = 25°C)

Parameter	Symbol	Absolut maximum Rating	Unit
Max Power Dissipation	P_M	80	mW
Max Continuous Forward Current	I_{FM}	20	mA
Max Reverse Voltage	V_{RM}	5	V
Peak Forward Current	I_{FP}	75	mA
Lead Soldering Temperature/Time	T_{SOL}	260/≤3S	°C/S
Operating Temperature Range	T_{OPR}	-25~+85	°C
Storage Temperature Range	T_{STR}	-30~+100	°C

Typical Electrical & Optical Characteristics(Ta=25°)

Parameter	Symbol	Min.	Typ.	Max.	Unit	Condition
Luminous Intensity	I_v	300	500	800	mcd	$I_F=20mA$
Viewing Angle	2Ø1/2	/	40	/	deg	$I_F=20mA$
Peak Wave Length	λ_p	/	630	/	nm	$I_F=20mA$
Dominant Wave Length	λ_d	620	/	640	nm	$I_F=20mA$
Spectral Width at half height	$\Delta\lambda$	/	30	/	nm	$I_F=20mA$
Forward Voltage	V_F	1.9	2.1	2.4	V	$I_F=20mA$
Reverse Current	I_R	/	/	≤30	µA	$V_R=5V$

Notes:

1. Through aging experiment certificate: This LED at normal work under condition: Then $I_F=20\text{ mA}$, $V_F=2.5\text{ V}$, the service life is 6-100,000 hours.
2. Press anti-electrostatic weld an operation (connect a ground of line, wear static electricity wreath and wear a pure cotton finger set).
3. The LED product that our company provide can order to do according to customer's need, the related technique parameter will take place variety, the detailed circumstance please consult with a relevant personnel of my company.