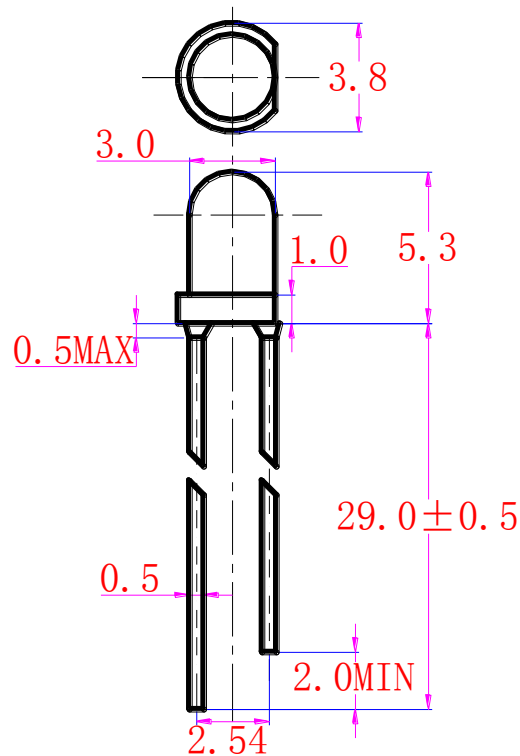




Features:

- ◆ Standard T-1 diameter package
- ◆ General purpose leads
- ◆ Reliable and rugged

Package Dimensions:



Part No.	Chip Material	Lens Color	Source Color
NJ-DIP-03WTRY1	InGaAIP	Water Clear	Red

Notes:

- 1、all dimensions in mm tolerance is  $\pm 0.2$ mm unless otherwise noted.
- 2、an epoxy meniscus may extend about 1.5mm down the leads.
- 3、burr around bottom of epoxy may be 0.5mm max.



**Absolute Maximum Ratings (Ta = 25°C)**

Parameter	Symbol	Absolute maximum Rating	Unit
Max Power Dissipation	$P_M$	80	mW
Max Continuous Forward Current	$I_{FM}$	20	mA
Max Reverse Voltage	$V_{RM}$	5	V
Peak Forward Current	$I_{FP}$	75	mA
Lead Soldering Temperature/Time	$T_{SOL}$	260/≤3S	°C/S
Operating Temperature Range	$T_{OPR}$	-25~+85	°C
Storage Temperature Range	$T_{STR}$	-30~+100	°C

**Typical Electrical & Optical Characteristics(Ta=25° )**

Parameter	Symbol	Min.	Typ.	Max.	Unit	Condition
Luminous Intensity	$I_v$	400	600	1000	mcd	$I_F=20mA$
Viewing Angle	2Ø1/2	/	40	/	deg	$I_F=20mA$
Peak Wave Length	$\lambda_p$	/	630	/	nm	$I_F=20mA$
Dominant Wave Length	$\lambda_d$	620	/	640	nm	$I_F=20mA$
Spectral Width at half height	$\Delta\lambda$	/	30	/	nm	$I_F=20mA$
Forward Voltage	$V_F$	1.9	2.1	2.4	V	$I_F=20mA$
Reverse Current	$I_R$	/	/	≤30	µA	$V_R=5V$

Notes:

- 1、 Through aging experiment certificate:This LED at normal work under condition:Then  $I_F=20$  mA, $V_F=2.5$  V, the service life is 6-100,000 hours.
- 2、 Press anti-electrostatic weld an operation(connect a ground of line,wear static electricity wreath and wear a pure cotton finger set).
- 3、 The LED product that our company provide can order to do according to customer's need, the related technique parameter will take place variety, the detailed circumstance please consult with a relevant personnel of my company.