



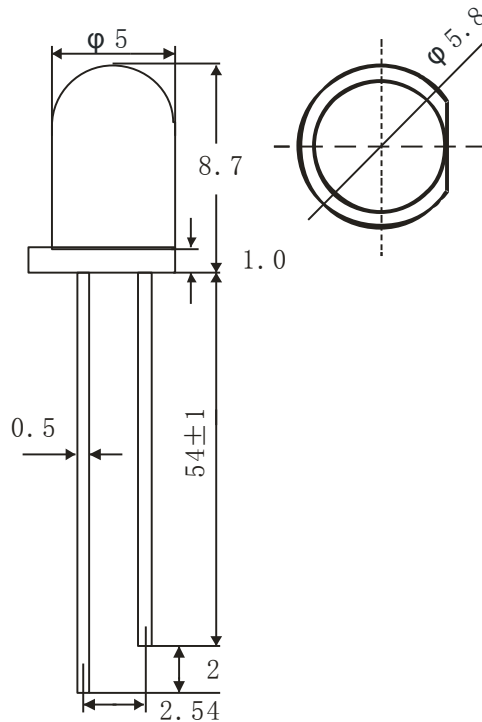
DONGGUAN NANJING ELECTRONICS LTD.,

Long life InGaAlP LED (Blue Body Emits Blue Light)

Features:

- ◆ Standard T-1 diameter package
- ◆ General purpose leads
- ◆ Reliable and rugged

Package Dimensions:



| Part No. | Chip Material | Lens Color | Source Color |
|----------------|---------------|------------|--------------|
| NJ-DIP-05BTBY1 | InGaAlP | Blue | Blue |

Notes:

- 1、all dimensions in mm tolerance is $\pm 0.2\text{mm}$ unless otherwise noted.
- 2、an epoxy meniscus may extend about 1.5mm down the leads.
- 3、burr around bottom of epoxy may be 0.5mm max.

**Absolute Maximum Ratings (Ta = 25°C)**

| Parameter | Symbol | Absolute maximum Rating | Unit |
|---------------------------------|-----------|-------------------------|------|
| Max Power Dissipation | P_M | 100 | mW |
| Max Continuous Forward Current | I_{FM} | 30 | mA |
| Max Reverse Voltage | V_{RM} | 5 | V |
| Peak Forward Current | I_{FP} | 75 | mA |
| Lead Soldering Temperature/Time | T_{SOL} | 260/≤3S | °C/S |
| Operating Temperature Range | T_{OPR} | -25~+85 | °C |
| Storage Temperature Range | T_{STR} | -30~+100 | °C |

Typical Electrical & Optical Characteristics(Ta=25°)

| Parameter | Symbol | Min. | Typ. | Max. | Unit | Condition |
|-------------------------------|------------------|------|------|------|------|------------|
| Luminous Intensity | I_v | 1000 | 3000 | 5000 | mcd | $I_F=20mA$ |
| Viewing Angle | 2Ø1/2 | / | 35 | / | deg | $I_F=20mA$ |
| Peak Wave Length | λ_p | / | 470 | / | nm | $I_F=20mA$ |
| Dominant Wave Length | λ_d | 450 | 465 | 475 | nm | $I_F=20mA$ |
| Spectral Width at half height | $\Delta \lambda$ | / | 30 | / | nm | $I_F=20mA$ |
| Forward Voltage | V_F | 3.0 | 3.2 | 3.6 | V | $I_F=20mA$ |
| Reverse Current | I_R | / | / | ≤30 | μA | $V_R=5V$ |

Notes:

1. Through aging experiment certificate: This LED at normal work under condition: Then $I_F=20\text{ mA}$, $V_F=2.5\text{ V}$, the service life is 6-100,000 hours.
2. Press anti-electrostatic weld an operation (connect a ground of line, wear static electricity wreath and wear a pure cotton finger set).
3. The LED product that our company provide can order to do according to customer's need, the related technique parameter will take place variety, the detailed circumstance please consult with a relevant personnel of my company.