



Features:

- ◇ Choice of various color.
- ◇ Available on tape and reel.
- ◇ Reliable and robust.
- ◇ The product itself will remain within RoHS compliant Version.

Descriptions:

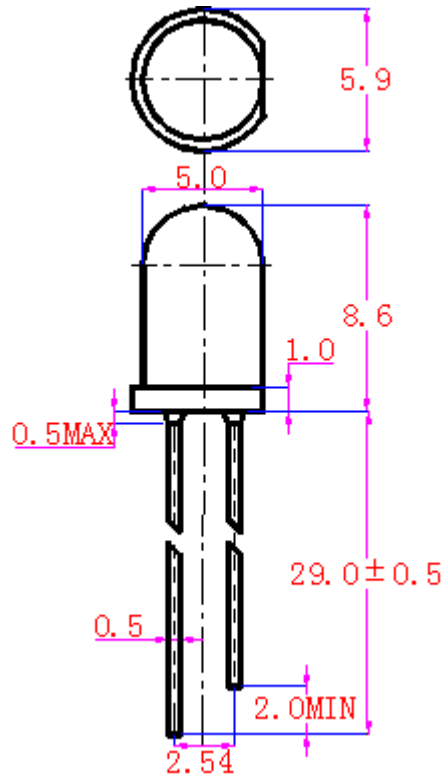
- ◇ The series is specially designed for applications requiring higher brightness.
- ◇ The LED lamps are available with different colors, intensities.

Applications:

- ◇ TV set.
- ◇ Monitor.
- ◇ Telephone.
- ◇ Computer.



Package Dimension:



Part No.	Chip Material	Lens Color	Source Color
NJ-DIP-05GTGY1	InGaAIP	Green	Green

Notes:

1. All dimensions are in millimeters (inches).
2. Tolerance is ± 0.25 mm (.010") unless otherwise noted.
3. Protruded resin under flange is 1.00 mm (.039") max.
4. Specifications are subject to change without notice.



Absolute Maximum Ratings (Ta = 25)

Parameter	Symbol	Absolute maximum Rating	Unit
Max Power Dissipation	P_M	80	mW
Max Continuous Forward Current	I_{FM}	20	mA
Max Reverse Voltage	V_{RM}	5	V
Peak Forward Current	I_{FP}	75	m
Lead Soldering Temperature/Time	T_{SOL}	250/≤3S	°C/S
Operating Temperature Range	T_{OPR}	-25~+85	°C
Storage Temperature Range	T_{STR}	-30~+100	°C

Typical Electrical & Optical Characteristics(Ta=25°)

Parameter	Symbol	Min.	Typ.	Max.	Unit	Condition
Luminous Intensity	I_v	120	150	200	mcd	$I_F=20mA$
Viewing Angle	2Ø1/2	/	40	/	deg	$I_F=20mA$
Peak Wave Length	λ_p	/	572	/	nm	$I_F=20mA$
Dominant Wave Length	λ_d	570	/	575	nm	$I_F=20mA$
Spectral Width at half height	$\Delta \lambda$	/	30	/	nm	$I_F=20mA$
Forward Voltage	V_F	2.0	2.2	2.4	V	$I_F=20mA$
Reverse Current	I_R	/	/	≤30	µA	$V_R=5V$

Notes :

- 1、Through aging experiment certificate:This LED at normal work under condition:Then $I_F=20mA$, $V_F=2.5V$, the service life is 6-100,000 hours.
- 2、Press anti-electrostatic weld an operation(connect a ground of line,wear static electricity wreath and wear a pure cotton finger set).
- 3、The LED product that our company provide can order to do according to customer's need, the related technique parameter will take place variety, the detailed circumstance please consult with a relevant personnel of my company.