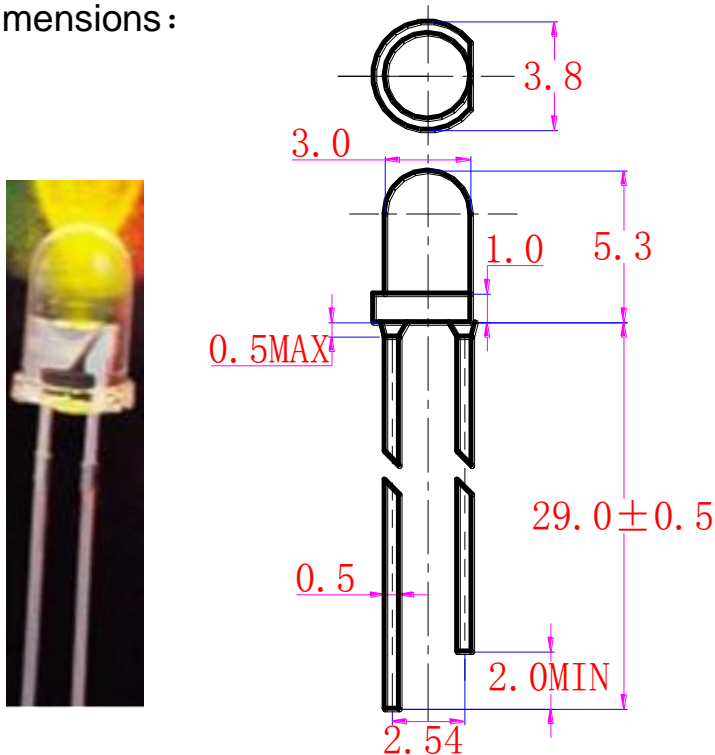




Features:

- ◆ Standard T-1 diameter package
- ◆ General purpose leads
- ◆ Reliable and rugged

Package Dimensions :



Part No.	Chip Material	Lens Color	Source Color
NJ-DIP-03WTTY1	AlInGaP	Water Clear	Yellow

Notes:

- 1、all dimensions in mm tolerance is ± 0.2 mm unless otherwise noted.
- 2、an epoxy meniscus may extend about 1.5mm down the leads.
- 3、burr around bottom of epoxy may be 0.5mm max.



Absolute Maximum Ratings (Ta = 25°C)

Parameter	Symbol	Absolute maximum Rating	Unit
Max Power Dissipation	P_M	80	mW
Max Continuous Forward Current	I_{FM}	20	mA
Max Reverse Voltage	V_{RM}	5	V
Peak Forward Current	I_{FP}	75	mA
Lead Soldering Temperature/Time	T_{SOL}	260/≤3S	°C/S
Op rating Temperature Range	T_{OPR}	-25~+85	°C
Storage Temperature Range	T_{STR}	-30~+100	°C

Typical Electrical & Optical Characteristics(Ta=25°)

Parameter	Symbol	Min.	Typ.	Max.	Unit	Condition
Luminous Intensity	I_v	400	600	800	mcd	$I_F=20mA$
Viewing Angle	2θ	/	40	/	deg	$I_F=20mA$
Peak Wave Length	λ_p	/	590	/	nm	$I_F=20mA$
Dominant Wave Length	λ_d	585	/	595	nm	$I_F=20mA$
Spectral Width at half height	$\Delta \lambda$	/	30	/	nm	$I_F=20mA$
Forward Voltage	V_F	1.9	2.1	2.4	V	$I_F=20mA$
Reverse Current	I_R	/	/	≤30	μA	$V_R=5V$

Notes:

- 1、Through aging experiment certificate:This LED at normal work under condition:Then $I_F=20\text{ mA}$, $V_F=2.5\text{ V}$, the service life is 6-100,000 hours.
- 2、 Press anti-electrostatic weld an operation(connect a ground of line,wear static electricity wreath and wear a pure cotton finger set).
- 3、 The LED product that our company provide can order to do according to customer's need, the related technique parameter will take place variety, the detailed circumstance please consult with a relevant personnel of my company.