



Features:

- ◇ Choice of various color.
- ◇ Available on tape and reel.
- ◇ Reliable and robust.
- ◇ The product itself will remain within RoHS compliant Version.

Descriptions:

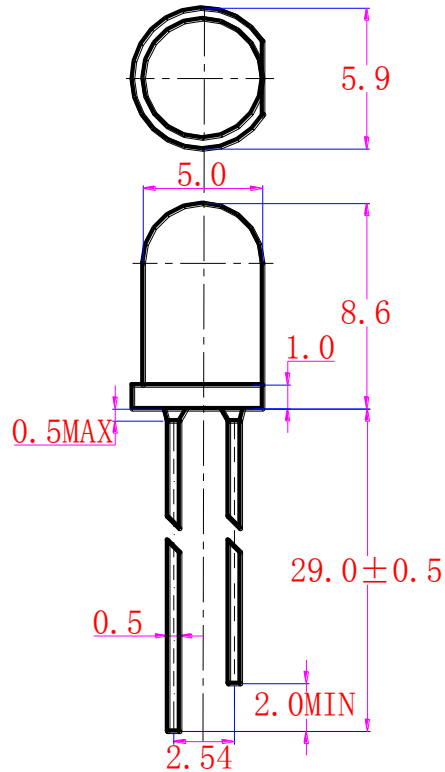
- ◇ The series is specially designed for applications requiring higher brightness.
- ◇ The LED lamps are available with different colors, intensities.

Applications:

- ◇ TV set.
- ◇ Monitor.
- ◇ Telephone.
- ◇ Computer.



Package Dimension:



Part No.	Chip Material	Lens Color	Source Color
NJ-DIP-05RTRY1	InGaAIP	Red	Red

Notes:

1. All dimensions are in millimeters (inches).
2. Tolerance is ± 0.25 mm (.010") unless otherwise noted.
3. Protruded resin under flange is 1.00 mm (.039") max.
4. Specifications are subject to change without notice.



Absolute Maximum Ratings (Ta = 25°C)

Parameter	Symbol	Absolute maximum Rating	Unit
Max Power Dissipation	P _M	80	mW
Max Continuous Forward Current	I _{FM}	20	mA
Max Reverse Voltage	V _{RM}	5	V
Peak Forward Current	I _{FP}	75	mA
Lead Soldering Temperature/Time	T _{SOL}	250/≤3S	°C/S
Operating Temperature Range	T _{OPR}	-25~+85	°C
Storage Temperature Range	T _{STR}	-30~+100	°C

Typical Electrical & Optical Characteristics(Ta=25°)

Parameter	Symbol	Min.	Typ.	Max.	Unit	Condition
Luminous Intensity	I _v	300	500	800	mcd	I _F =20mA
Viewing Angle	2Ø1/2	/	40	/	deg	I _F =20mA
Peak Wave Length	λ _p	/	630	/	nm	I _F =20mA
Dominant Wave Length	λ _d	620	/	640	nm	I _F =20mA
Spectral Width at half height	Δλ	/	30	/	nm	I _F =20mA
Forward Voltage	V _F	1.8	2.0	2.2	V	I _F =20mA
Reverse Current	I _R	/	/	≤30	μA	V _R =5V

Notes :

- 1、Through aging experiment certificate:This LED at normal work under condition:Then IF=20 mA,VF=2.5 V, the service life is 6-100,000 hours.
- 2、Press anti-electrostatic weld an operation(connect a ground of line,wear static electricity wreath and wear a pure cotton finger set).
- 3、The LED product that our company provide can order to do according to customer's need, the related technique parameter will take place variety, the detailed circumstance please consult with a relevant personnel of my company.