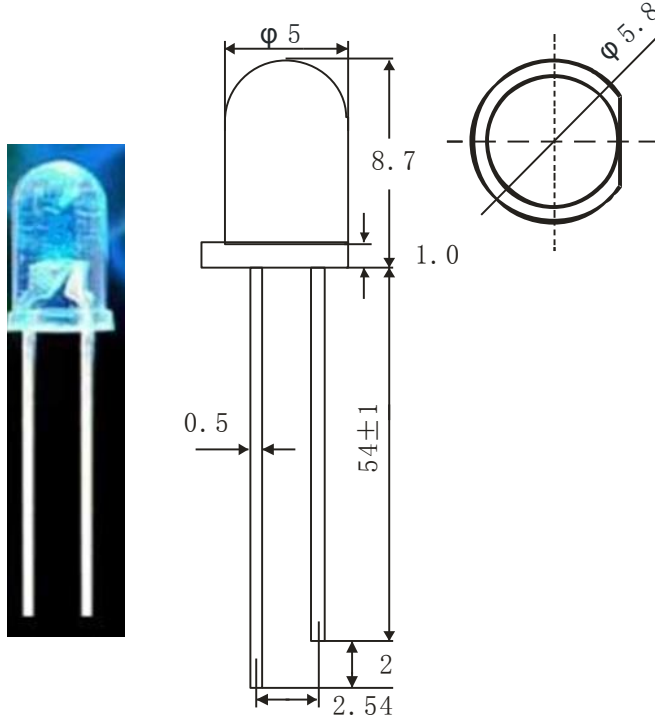




Features:

- ◆ Standard T-1 diameter package
- ◆ General purpose leads
- ◆ Reliable and rugged

Package Dimensions:



Part No.	Chip Material	Lens Color	Source Color
NJ-DIP-05WTBY1	InGaAIP	Water Clear	Blue

Notes:

- 1、all dimensions in mm tolerance is $\pm 0.2\text{mm}$ unless otherwise noted.
- 2、an epoxy meniscus may extend about 1.5mm down the leads.
- 3、burr around bottom of epoxy may be 0.5mm max.



■ Absolute Maximum Ratings (Ta = 25°C)

Parameter	Symbol	Absolute maximum Rating	Unit
Max Power Dissipation	P _M	100	mW
Max Continuous Forward Current	I _{FM}	30	mA
Max Reverse Voltage	V _{RM}	5	V
Peak Forward Current	I _{FP}	75	mA
Lead Soldering Temperature/Time	T _{SOL}	260/≤3S	°C/S
Operating Temperature Range	T _{OPR}	-25~+85	°C
Storage Temperature Range	T _{STR}	-30~+100	°C

■ Typical Electrical & Optical Characteristics(Ta=25°)

Parameter	Symbol	Min.	Typ.	Max.	Unit	Condition
Luminous Intensity	I _v	1000	3000	5000	mcd	I _F =20mA
Viewing Angle	2Ø1/2	/	35	/	deg	I _F =20mA
Peak Wave Length	λ _p	/	470	/	nm	I _F =20mA
Dominant Wave Length	λ _d	450	465	475	nm	I _F =20mA
Spectral Width at half height	Δ λ	/	30	/	nm	I _F =20mA
Forward Voltage	V _F	3.0	3.2	3.6	V	I _F =20mA
Reverse Current	I _R	/	/	≤30	μA	V _R =5V

Notes:

1. Through aging experiment certificate: This LED at normal work under condition: Then I_F=20 mA, V_F=2.5 V, the service life is 6-100,000 hours.
2. Press anti-electrostatic weld an operation (connect a ground of line, wear static electricity wreath and wear a pure cotton finger set).
3. The LED product that our company provide can order to do according to customer's need, the related technique parameter will take place variety, the detailed circumstance please consult with a relevant personnel of my company.