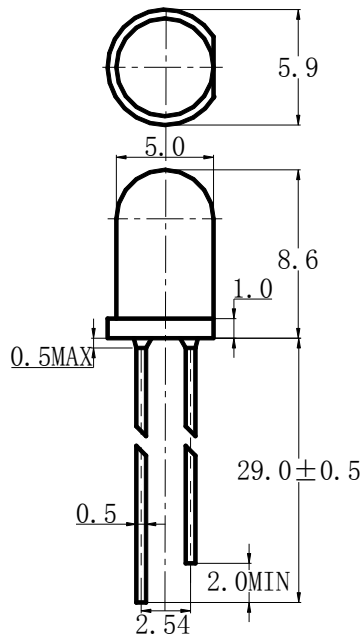




Features:

- ◆ Standard T-1 diameter package
- ◆ General purpose leads
- ◆ Reliable and rugged

Package Dimensions:



Part No.	Chip Material	Lens Color	Source Color
NJ-DIP-05WTWY1	InGaAIP	Water Clear	White

Notes:

- 1、all dimensions in mm tolerance is $\pm 0.2\text{mm}$ unless otherwise noted.
- 2、an epoxy meniscus may extend about 1.5mm down the leads.
- 3、burr around bottom of epoxy may be 0.5mm max.



■ Absolute Maximum Ratings (Ta = 25°C)

Parameter	Symbol	Absolute maximum Rating	Unit
Max Power Dissipation	P _M	80	mW
Max Continuous Forward Current	I _{FM}	20	mA
Max Reverse Voltage	V _{RM}	5	V
Peak Forward Current	I _{FP}	75	mA
Lead Soldering Temperature/Time	T _{SOL}	260/≤3S	°C/S
Operating Temperature Range	T _{OPR}	-25~+85	°C
Storage Temperature Range	T _{STR}	-30~+100	°C

■ Typical Electrical & Optical Characteristics(Ta=25°)

Parameter	Symbol	Min.	Typ.	Max.	Unit	Condition
Luminous Intensity	I _v	12000	12500	13000	mcd	I _F =20mA
Viewing Angle	2Ø1/2	/	30	/	deg	I _F =20mA
Peak Wave Length	λ _p	/	/	/	nm	I _F =20mA
Dominant Wave Length	λ _d	/	/	/	nm	I _F =20mA
Spectral Width at half height	Δ λ	/	/	/	nm	I _F =20mA
Forward Voltage	V _F	2.8	3.2	3.4	V	I _F =20mA
Reverse Current	I _R	/	/	≤30	μA	V _R =5V

Notes:

- 1、Through aging experiment certificate:This LED at normal work under condition:Then I_F=20 mA,V_F=2.5 V, the service life is 6-100,000 hours.
- 2、 Press anti-electrostatic weld an operation(connect a ground of line,wear static electricity wreath and wear a pure cotton finger set).
- 3、 The LED product that our company provide can order to do according to customer's need, the related technique parameter will take place variety, the detailed circumstance please consult with a relevant personnel of my company.