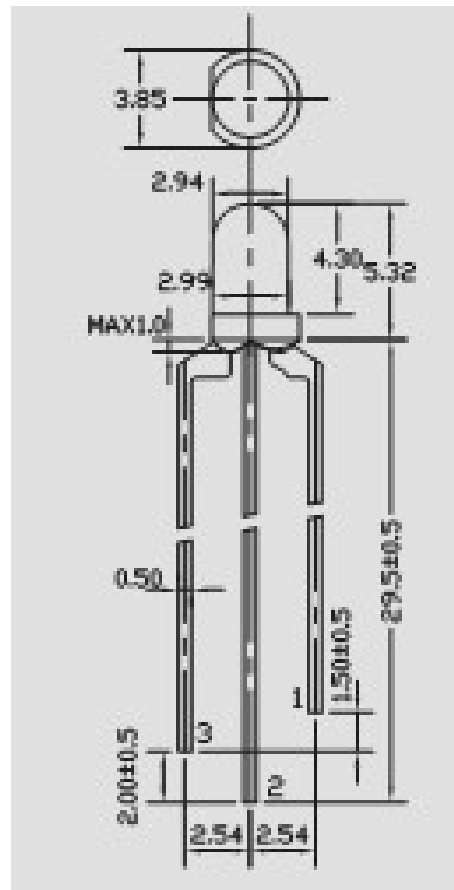




- ◇ Choice of various color.
- ◇ Available on tape and reel.
- ◇ Reliable and robust.
- ◇ The product itself will remain within RoHS compliant Version.
- ◇ The series is specially designed for applications requiring higher brightness.
- ◇ The LED lamps are available with different colors, intensities.

### Package Dimension:



### Notes:

1. All dimensions are in millimeters (inches).
2. Tolerance is  $\pm 0.25$  mm (.010") unless otherwise noted.
3. Protruded resin under flange is 1.00 mm (.039") max.
4. Specifications are subject to change without notice.



**DONGGUAN NANJING ELECTRONICS LTD.,**

Long life InGaAlP LED ( Transparent body emits red and blue light )

**1. SPECIFICATIONS**

(1) Absolute Maximum Rating (  $T_a=25^{\circ}\text{C}$  )

Parameter	Symbol	Absolute Maximum Rating	Unit
Forward current	$I_f$	50	mA
Work Forward Current	$I_F$	20	mA
Reverse Voltage	$V_r$	8	V
Power Dissipation	$P_d$	120	mw
Electrostatic Discharge	HBM	>1000	V
Operating Temperature	$T_{op}$	$-40^{\circ}\text{C}-80^{\circ}\text{C}$	$^{\circ}\text{C}$
Storage Temperature	$T_{stg}$	$-40^{\circ}\text{C}-100^{\circ}\text{C}$	$^{\circ}\text{C}$
Lead Soldering Temperature/ Welding temperature distance colloid 4mm	$T_{sol}$	260 $^{\circ}\text{C}$ FOR 3 SECONDS	

IFP Conditions: Pulse Width  $\leq 10\text{msec}$  and duty  $\leq 1/10$

(2) Initial Electrical/Optical Characteristics (  $T_a=25^{\circ}\text{C}$  )

Parameter	Symbol	Condition	Min		Typ		Max		Unit
			red	blue	red	blue	red	blue	
Forward Voltage	$V_F$	$I_F=20\text{mA}$	1.8	2.8	1.9	3.2	2.0	3.5	V
Reverse Current	$I_R$	$V_R=5\text{V}$	--		--		10		$\mu\text{A}$
Viewing Angle	$2\theta_{1/2}$	$I_F=20\text{mA}$	--		90		--		deg
Luminous Intensity	$I_V$	$I_F=20\text{mA}$	400	800	500	900	600	1000	mcd
Luminous Flux	$\phi$	$I_F=20\text{mA}$	--				--		lm
Peak Wavelength	$\lambda_p$	$I_F=20\text{mA}$	625	465	628	467	630	468	nm
Chromaticity coordinate/X	X	$I_F=20\text{mA}$	--		--		--		--
Chromaticity coordinate/Y	Y	$I_F=20\text{mA}$	--		--		--		--
Color temperature	$T_c$	$I_F=20\text{mA}$	--		--		--		K

Chip		Lens Color
Material	Emitting Color	
AlGaInP	red blue	Frosted

■ NOTES:

- All dimension are millimeters
- Tolerance is  $\pm 0.25\text{mm}$  unless otherwise noted