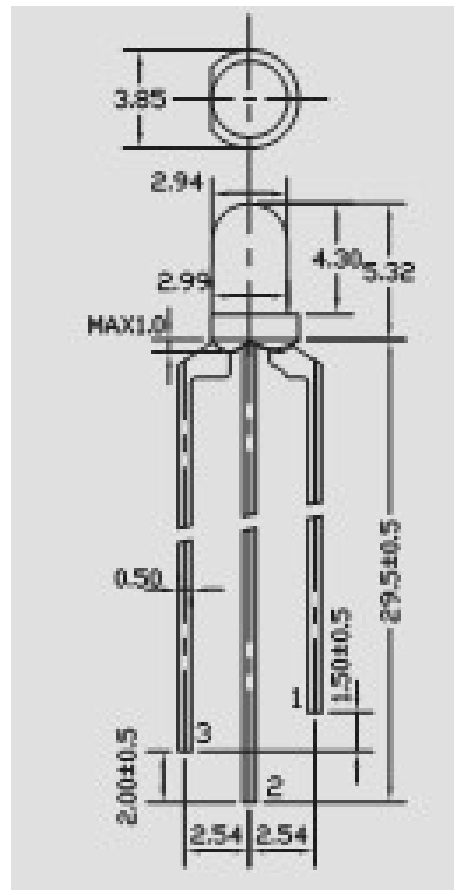




## Features:

- ◇ Choice of various color.
- ◇ Available on tape and reel.
- ◇ Reliable and robust.
- ◇ The product itself will remain within RoHS compliant Version.
- ◇ The series is specially designed for applications requiring higher brightness.
- ◇ The LED lamps are available with different colors, intensities.

## Package Dimension:



## Notes:

1. All dimensions are in millimeters (inches).
2. Tolerance is  $\pm 0.25$  mm (.010") unless otherwise noted.
3. Protruded resin under flange is 1.00 mm (.039") max.
4. Specifications are subject to change without notice.



**1. SPECIFICATIONS**

(1) Absolute Maximum Rating ( T a=25°C )

Parameter	Symbol	Absolute Maximun Rating	Unit
Forward current	If	50	mA
Work Forward Current	IF	20	mA
Reverse Voltage	Vr	8	V
Power Dissipation	Pd	120	mw
Electrostatic Discharge	HBM	>1000	V
Operating Temperature	Top	-40°C-80°C	°C
Storage Temperature	Tstg	-40°C-100°C	°C
Lead Soldering Temperature/ Welding temperature from colloid 4mm	Tsol	260°C FOR 3 SECONDS	

IFP Conditions: Pulse Width ≤ 10msec and duty ≤ 1/10

(2) Initial Electrical/Optical Characteristics ( T a=25°C )

Parameter	Symbol	Condition	Mi		Typ		Max		Unit
			red	blue	red	blue	red	blue	
Forward Voltage	VF	IF =20mA	1.8	2.8	1.9	3.2	2.0	3.5	V
Reverse Current	IR	VR=5V	--		--		10		μ A
Viewing Angle	2 θ 1/2	IF =20mA	--		90		--		deg
Luminous Intensity	IV	IF =20mA	400	800	500	900	600	1000	mcd
Luminous Flux	φ	IF =20mA	--				--		lm
Peak Wavelength	λ p	IF =20mA	625	465	628	467	630	468	nm
Chromaticity coordinate/X	X	IF =20mA	--		--		--		--
Chromaticity coordinate/Y	Y	IF =20mA	--		--		--		--
Color temperature	T c	IF =20mA	--		--		--		K

Chip		Lens Color
Material	Emitting Color	
AlGaInP	Red & Blue	Frosted

■ NOTES:

1. All dimension are millimeters
2. Tolerance is ± 0.25mm unless otherwise noted