



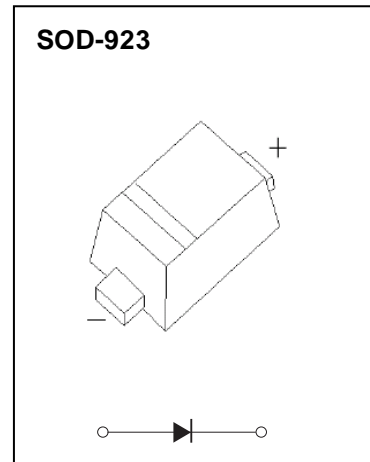
DONGGUAN NANJING ELECTRONICS LTD.,  
**SOD-923 Plastic-Encapsulate Diodes**

**RB520CS-30** Schottky barrier Diode

**FEATURES**

- Small surface mounting type
- Low reverse current and low forward voltage
- High reliability

**MARKING: E**



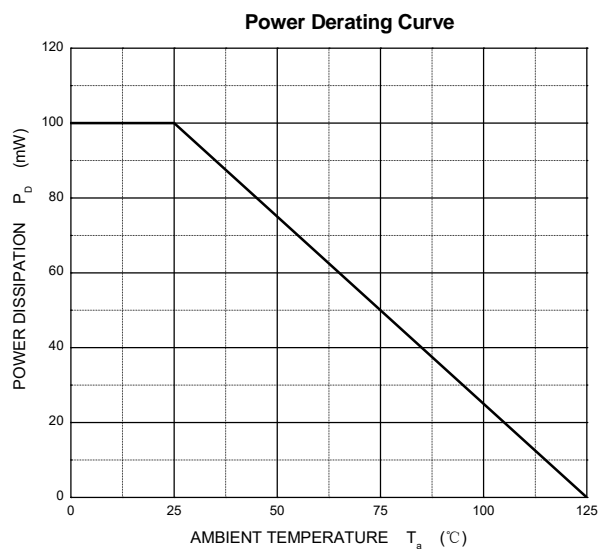
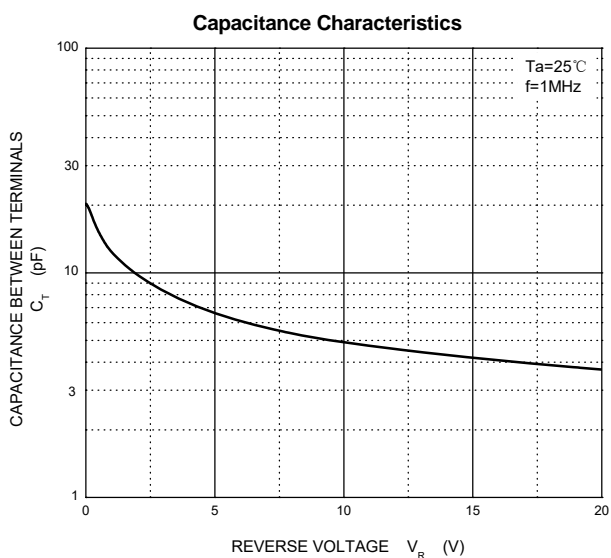
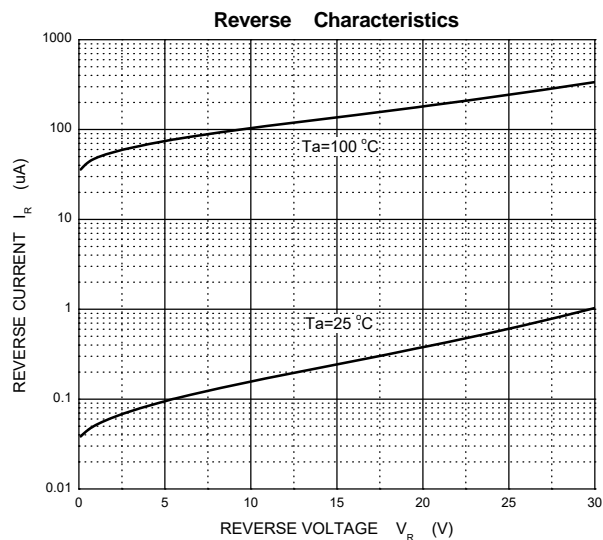
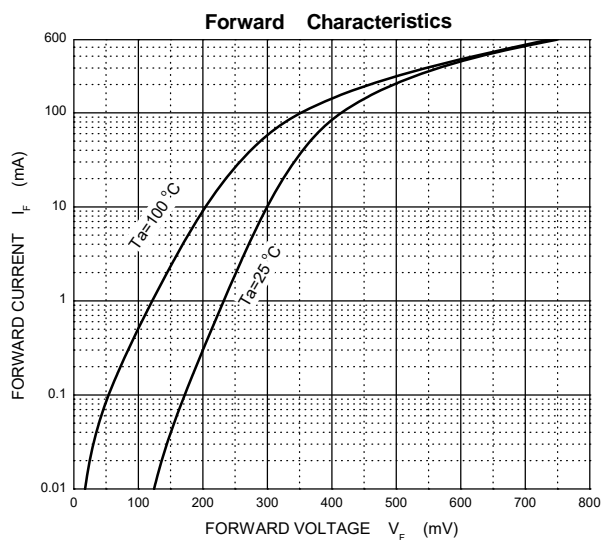
**Maximum Ratings and Electrical Characteristics, Single Diode @Ta=25°C**

Parameter	Symbol	Limit	Unit
DC reverse voltage	$V_R$	30	V
Mean rectifying current	$I_O$	200	mA
Peak Forward Surge Current	$I_{FSM}$	500	mA
Power dissipation	$D_8$	100	mW
Thermal Resistance Junction to Ambient	$\theta_{JA}$	1000	°C/W
Operating Junction Temperature Range	$T_j$	-40 ~ +125	°C
Storage Temperature Range	$T_{stg}$	-55 ~ +150	°C

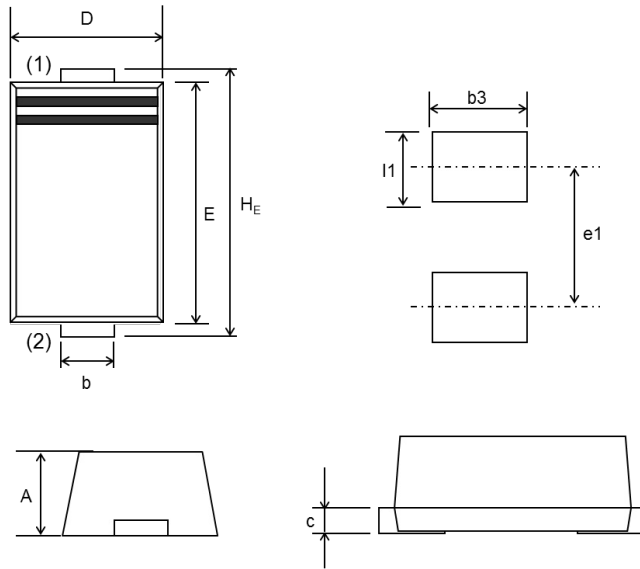
**Electrical Ratings @Ta=25°C**

Parameter	Symbol	Min	Typ	Max	Unit	Conditions
Forward voltage	$V_F$			0.45	V	$I_F=10mA$
Reverse current	$I_R$			0.5	$\mu A$	$V_R=10V$

# Typical Characteristics



## SOD-923 Package Outline Dimensions



DIM	Millimeters			Inches		
	Min.	Average	Max.	Min.	Average	Max.
A	0.34	0.37	0.40	0.013	0.015	0.016
b	0.17	0.22	0.27	0.007	0.009	0.011
c	0.11	0.16	0.21	0.004	0.006	0.008
D	0.55	0.60	0.65	0.022	0.024	0.026
E	0.81	0.86	0.91	0.032	0.034	0.036
H <sub>E</sub>	0.95	1.00	1.05	0.037	0.039	0.041
l <sub>1</sub>	-	0.45	-	-	0.018	-
b <sub>3</sub>	-	0.55	-	-	0.022	-
e <sub>1</sub>	-	0.95	-	-	0.037	-

- (1) The marking bar indicates the cathode.  
 (2) The direction indicates the anode.

## SOD-923 Tape and Reel

